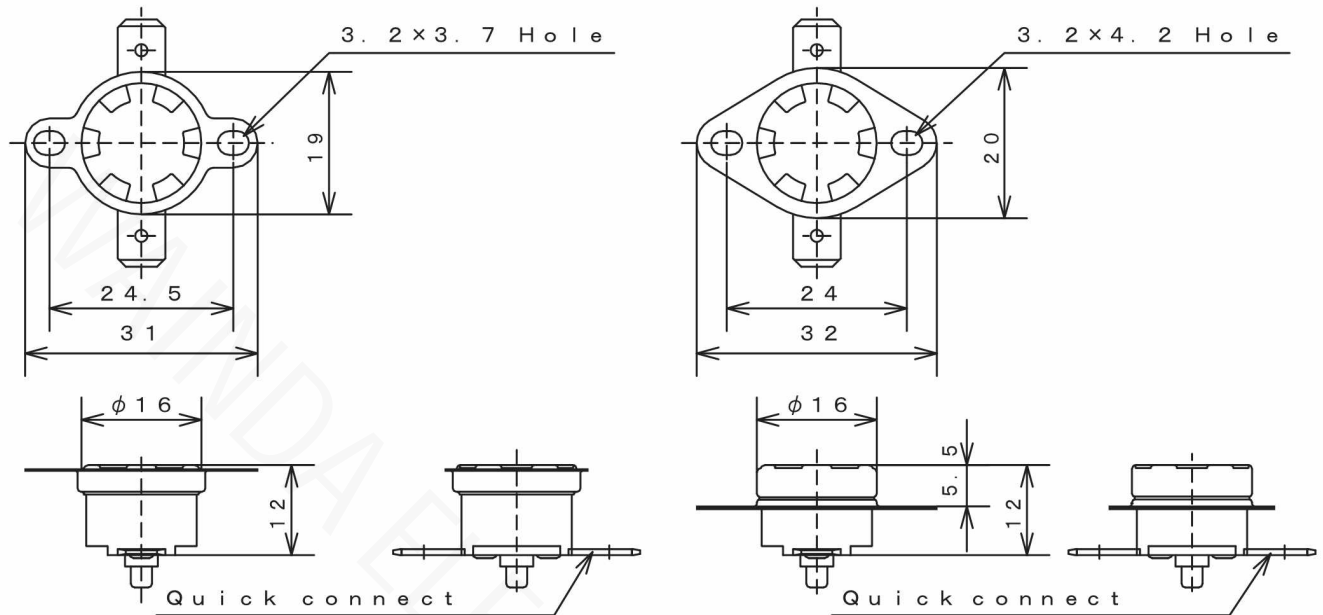


## Type: KSD301 Bimetal Thermostat

CQC TUV UL  
Recognized

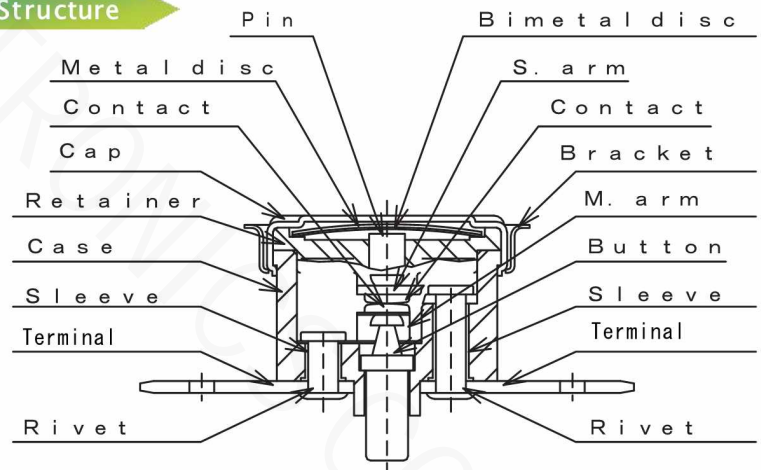
### Materials



### Materials of parts

Part	Material
Cap	Aluminum
	Copper
	Stainless steel
Case	Phenolic resin
M.arm	Beryllium Copper alloy
Terminals	Brass
Bracket	Stainless steel
Contacts	Silver-Nickel alloy
Button	Phenolic resin

### Structure



### Specification

Item	Specification
1. Reset type	Manual or Automatic reset
2. Accuracy	$\pm 3^{\circ}\text{C}$ , $\pm 5^{\circ}\text{C}$ , $\pm 10^{\circ}\text{C}$ or Requirement of customer's
3. Electrical rating	UL : AC120V/15A AC240V/10A CQC:AC250V/10A AC125V/16A VDE : AC250V/10~16A
4. life Cycle	100,000
5. Differential	$-10\sim 300^{\circ}\text{C}$ or Requirement of customer's
6. Insulation resistance	Not less than 1,000M $\Omega$ /DC500V
7. Dielectric strength	Not less than AC1,500V/1min. or AC1,800V/1sec.

### Standard



## KSD Thermostat

## Normal closed type

Disconnect	Connect	Disconnect	Connect
45 ± 5°C	35 ± 5°C	140 ± 5°C	120 ± 10°C
50 ± 5°C	40 ± 5°C	145 ± 5°C	125 ± 10°C
55 ± 5°C	45 ± 5°C	150 ± 5°C	130 ± 10°C
60 ± 5°C	50 ± 8°C	155 ± 5°C	135 ± 10°C
65 ± 5°C	50 ± 8°C	160 ± 5°C	140 ± 10°C
70 ± 5°C	55 ± 8°C	165 ± 5°C	145 ± 10°C
75 ± 5°C	60 ± 8°C	170 ± 5°C	150 ± 10°C
80 ± 5°C	65 ± 8°C	175 ± 5°C	155 ± 10°C
85 ± 5°C	70 ± 8°C	180 ± 5°C	160 ± 10°C
90 ± 5°C	75 ± 8°C	185 ± 5°C	155 ± 10°C
95 ± 5°C	80 ± 8°C	190 ± 5°C	160 ± 10°C
100 ± 5°C	85 ± 8°C	195 ± 5°C	165 ± 10°C
105 ± 5°C	85 ± 10°C	200 ± 5°C	170 ± 10°C
110 ± 5°C	90 ± 10°C	205 ± 5°C	175 ± 10°C
115 ± 5°C	95 ± 10°C	210 ± 5°C	180 ± 10°C
120 ± 5°C	100 ± 10°C	215 ± 5°C	185 ± 10°C
125 ± 5°C	105 ± 10°C	220 ± 5°C	190 ± 10°C
130 ± 5°C	110 ± 10°C		
135 ± 5°C	115 ± 10°C		

## Normal opened type

Connect	Disconnect	Connect	Disconnect
45 ± 5°C	35 ± 5°C	140 ± 5°C	120 ± 10°C
50 ± 5°C	40 ± 5°C	145 ± 5°C	125 ± 10°C
55 ± 5°C	45 ± 5°C	150 ± 5°C	130 ± 10°C
60 ± 5°C	50 ± 8°C	155 ± 5°C	135 ± 10°C
65 ± 5°C	50 ± 8°C	160 ± 5°C	140 ± 10°C
70 ± 5°C	55 ± 8°C	165 ± 5°C	145 ± 10°C
75 ± 5°C	60 ± 8°C	170 ± 5°C	150 ± 10°C
80 ± 5°C	65 ± 8°C	175 ± 5°C	155 ± 10°C
85 ± 5°C	70 ± 8°C	180 ± 5°C	160 ± 10°C
90 ± 5°C	75 ± 8°C	185 ± 5°C	155 ± 10°C
95 ± 5°C	80 ± 8°C	190 ± 5°C	160 ± 10°C
100 ± 5°C	85 ± 8°C	195 ± 5°C	165 ± 10°C
105 ± 5°C	85 ± 10°C	200 ± 5°C	170 ± 10°C
110 ± 5°C	90 ± 10°C	205 ± 5°C	175 ± 10°C
115 ± 5°C	95 ± 10°C	210 ± 5°C	180 ± 10°C
120 ± 5°C	100 ± 10°C	215 ± 5°C	185 ± 10°C
125 ± 5°C	105 ± 10°C	220 ± 5°C	190 ± 10°C
130 ± 5°C	110 ± 10°C		
135 ± 5°C	115 ± 10°C		

Remark: As for the thermostat with Temp of below 45°C, Reset Temp = Action Temp - 10°C, The tolerance of Action Temp and Reset Temp is ± 5°C, as for the thermostat with Temp of above 220°C, it will define as per cusomter's specific requirement.

