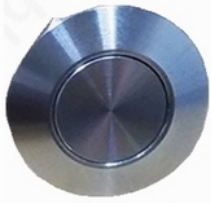
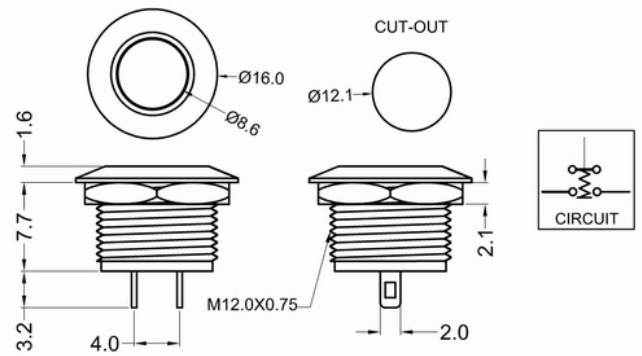


12-C tactile type

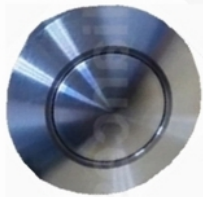
12-CF10QN



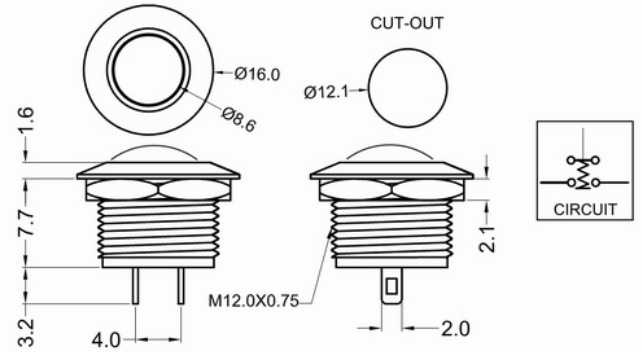
Mounting Hole Size: $\Phi 12\text{mm}$
 Switch Rating: 50Am 12VDC
 Contact Combination: 1NO
 Operation type: Tactile type with Off-Momentary (On)
 Actuator type: Flat
 Shell Material: Brass nickel plated/Stainless steel
 / Aluminum Alloy
 Protection Level: IP67



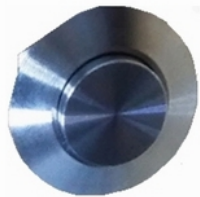
12-CH10QN



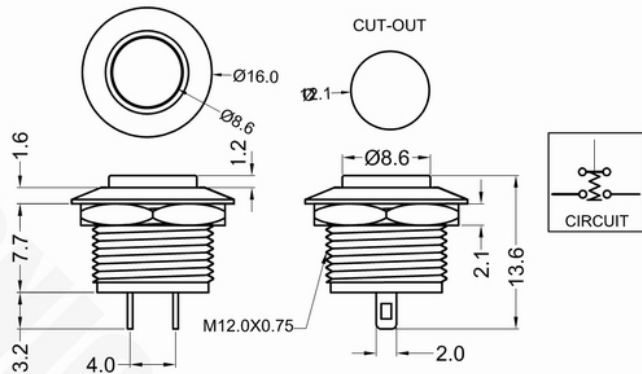
Mounting Hole Size: $\Phi 12\text{mm}$
 Switch Rating: 50Am 12VDC
 Contact Combination: 1NO
 Operation type: Tactile type with Off-Momentary (On)
 Actuator type: Ball(Dome)
 Shell Material: Brass nickel plated/Stainless steel
 / Aluminum Alloy
 Protection Level: IP67



12-CB10QN



Mounting Hole Size: $\Phi 12\text{mm}$
 Switch Rating: 50Am 12VDC
 Contact Combination: 1NO
 Operation type: Tactile type with Off-Momentary (On)
 Actuator type: High flush(Raised)
 Shell Material: Brass nickel plated/Stainless steel
 / Aluminum Alloy
 Protection Level: IP67



Product Standards	12-CF10QN	12-CB10QN	12-CH10QN	
Terminal Type	Solder Terminal	Solder Terminal	Solder Terminal	
Contact combination	1NO	1NO	1NO	
Rating	50Am 12VDC	50Am 12VDC	50Am 12VDC	
Contact Resistance	$\leq 50\text{m}\Omega$	$\leq 50\text{m}\Omega$	$\leq 50\text{m}\Omega$	
Insulation Resistance	$\geq 1000\text{M}\Omega$	$\geq 1000\text{M}\Omega$	$\geq 1000\text{M}\Omega$	
Dielectric Strength	250VAC 50Hz 1Am of 1 minute	250VAC 50Hz 1Am of 1 minute	250VAC 50Hz 1Am of 1 minute	
Environment Temperature	$-20^{\circ}\text{C} \sim 80^{\circ}\text{C}$	$-20^{\circ}\text{C} \sim 80^{\circ}\text{C}$	$-20^{\circ}\text{C} \sim 80^{\circ}\text{C}$	
Mechanical Life	500,000 times	500,000 times	500,000 times	
Electrical Life	100,000 times	100,000 times	100,000 times	
Panel Thickness	1~5mm	1~5mm	1~5mm	
Nut Torque	5~14Nm	5~14Nm	5~14Nm	
Operating Pressure	About 4N	About 4N	About 4N	
Operating Stroke	0.6 \pm 0.3mm	0.6 \pm 0.3mm	0.6 \pm 0.3mm	
Protection Level	IP67	IP67	IP67	
Material	Contact	Silver alloy	Silver alloy	
	Button	Stainless steel Zn-Al Alloy Brass nickeled	Stainless steel Zn-Al Alloy Brass nickeled	Stainless steel Zn-Al Alloy Brass nickeled
	Body	Stainless steel Zn-Al Alloy Brass nickeled	Stainless steel Zn-Al Alloy Brass nickeled	Stainless steel Zn-Al Alloy Brass nickeled
	Base	PA66	PA66	PA66