

12mm metal push button switch

Part Number

12												
Company code	Mounting Hole Size	Series	Actuator type	Contact Combination	Operation type	Connection type	LED type	LED color	LED Voltage	Button color	Housing color	Shell Material
WD	Φ12mm	A	F Flat	10 1NO	M Momentary	Q Solder Terminal (Quick-connect)	N No LED	N No LED	N No LED	N Natural	N Natural	S Stainless Steel
		B	H High flush (Raised)	11 1NO1NC	L Self-locking (Latched)	S Screw Terminal	D Dot	R Red	1 2V	R Red	R Red	B Brass Nickerled
		C	B Ball (Dome)	22 2NO2NC			R Ring	O Orange	2 3V	O Orange	O Orange	A Zn-Al Alloy Anodized
		D	K Knob				M Dot and Ring	Y Yellow	3 6V	Y Yellow	Y Yellow	P PBT
			L Key lock				G Green	4 12V	G Green	G Green	G Green	G Gold-plated
							B Blue	5 24V	B Blue	B Blue	B Blue	
							W White	6 36V	W White	W White	W White	
							D Bicolor	7 48V	D Bicolor	L Black	L Black	
							T Tricolor	8 110V	T Tricolor			
							X Ring and Symbol	9 220V	X Ring and Symbol			

Note: Can be customized. Note: Can be customized.

Remark: Please choose the suitable code according to the information above.

Switch Structure

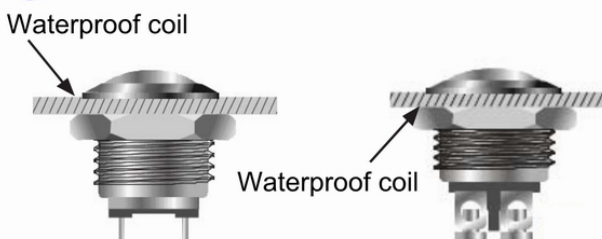
Type	Symbol	Diagram	Explanation
NO.1			Switch with two terminal breakpoints slow moving contact Individual products can be customized normally closed switch, refer to product description.
NO.2			

LED Specification

Lamp Type	LED (AC/DC)	<p>LED can be used in AC and DC, with a resistor for different voltage protection.</p>
Rated Voltage	2V/3V/6V/12V/24V/36V/48V/110V/220V or customized	
Rated Current	About 15mA	
Color	R O Y G B W or customized.	
Life	40000 Hours	

Remark: LED can be customized to meet special requirement.

Panel Installation



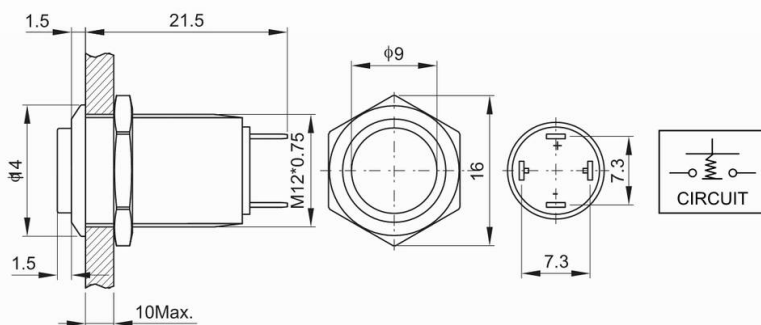
Related Certification



12-B-H10-MQ-N-N-N-N-A

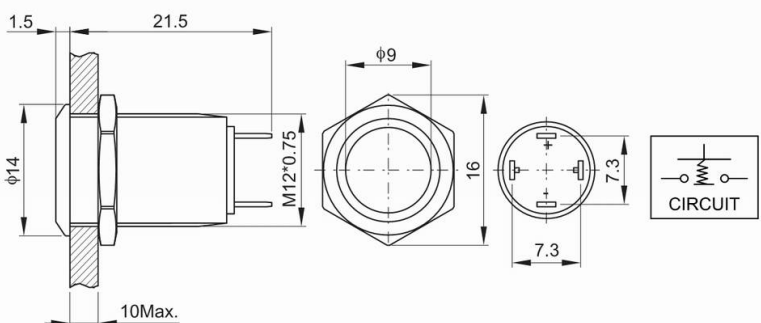


Mounting Hole Size: $\Phi 12\text{mm}$
 Switch Rating: 2A/36VDC
 Contact Combination: 1NO
 Operation type: Off-Momentary (On)
 Actuator type: High flush(Raised)
 Shell Material: Alluminum anodization
 Protection Lever: IP65



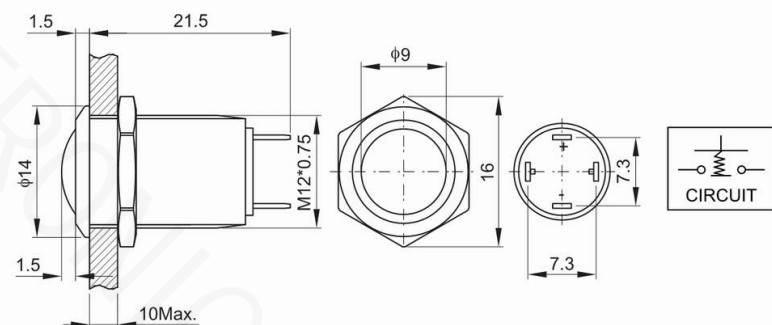
12-B-F10-MQ-N-N-N-N-A

Mounting Hole Size: $\Phi 12\text{mm}$
 Switch Rating: 2A/36VDC
 Contact Combination: 1NO
 Operation type: Off-Momentary (On)
 Actuator type: Flat
 Shell Material: Alluminum anodization
 Protection Lever: IP65



12-B-B10-MQ-N-N-N-N-A

Mounting Hole Size: $\Phi 12\text{mm}$
 Switch Rating: 2A/36VDC
 Contact Combination: 1NO
 Operation type: Off-Momentary (On)
 Actuator type: Ball (Dome)
 Shell Material: Alluminum anodization
 Protection Lever: IP65



Product Standards	12-B-F10-MQ-N-N-N-N-A	12-B-H10-MQ-N-N-N-N-A	12-B-B10-MQ-N-N-N-N-A
Terminal Type	Solder Terminal (1.8 x 0.5)	Solder Terminal (1.8 x 0.5)	Solder Terminal (1.8 x 0.5)
Contact combination	1NO	1NO	1NO
Rating	2A/36VDC	2A/36VDC	2A/36VDC
Contact Resistance	$\leq 50\text{m}\Omega$	$\leq 50\text{m}\Omega$	$\leq 50\text{m}\Omega$
Insulation Resistance	$\geq 1000\text{M}\Omega$	$\geq 1000\text{M}\Omega$	$\geq 1000\text{M}\Omega$
Dielectric Strength	2000VAC	2000VAC	2000VAC
Environment Temperature	$-20^{\circ}\text{C}\sim+55^{\circ}\text{C}$	$-20^{\circ}\text{C}\sim+55^{\circ}\text{C}$	$-20^{\circ}\text{C}\sim+55^{\circ}\text{C}$
Mechanical Life	>1,000,000 times	>1,000,000 times	>1,000,000 times
Electrical Life	>200,000 times	>200,000 times	>200,000 times
Panel Thickness	1~10mm	1~10mm	1~10mm
Nut Torque	5~14Nm	5~14Nm	5~14Nm
Operating Pressure	About 4N	About 4N	About 4N
Operating Stroke	About 2.0mm	About 2.0mm	About 2.0mm
Protection Lever	IP65	IP65	IP65
Material	Contact	Silver alloy	Silver alloy
	Button	Alluminum anodization	Alluminum anodization
	Body	Alluminum anodization	Alluminum anodization
	Base	PBT	PBT

