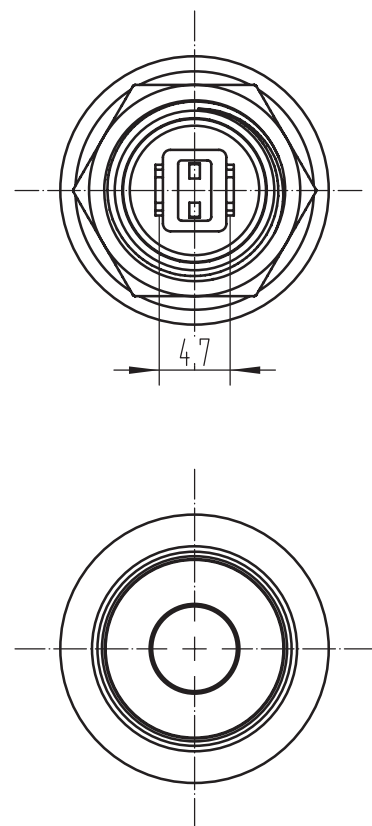
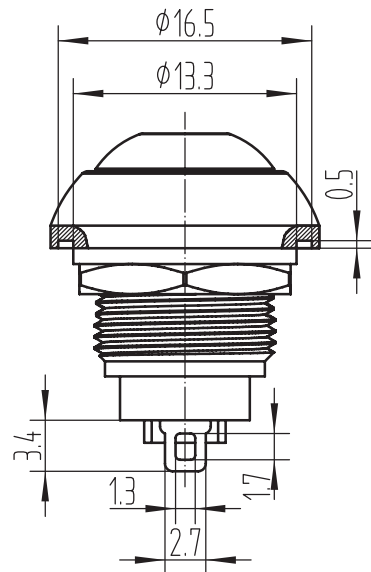
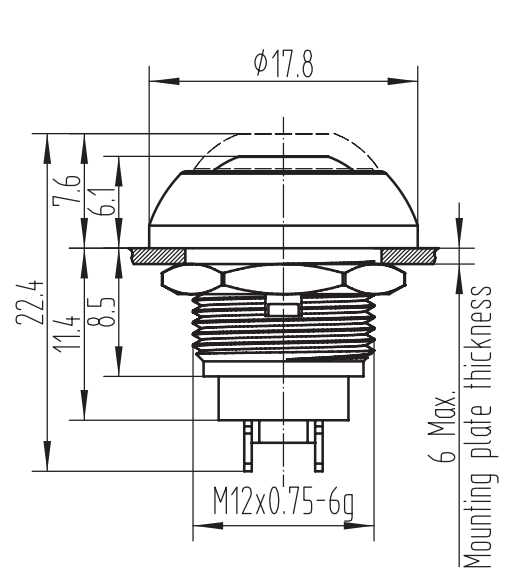
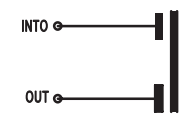


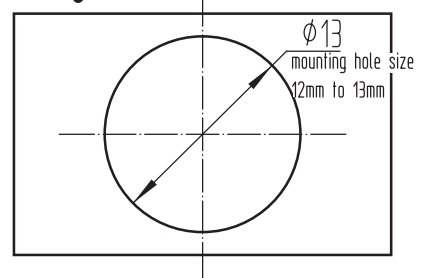
B  
C  
D  
E  
F  
G  
H  
1  
2  
3  
4  
5  
6  
7  
8  
9



Circuit Diagram



Mounting Holes



Function : Resetable (Momentary on) or Self-locked ( off - on Latched)

CHARACTERISITIC

CONCEITED BUTTON SWITCH

Operating Force:	5N
Release Force:	
Operating Position:	1.5mm
Pre Travel:	1mm
Differential Travel:	
Over Travel:	0.5mm
Total Travel:	1.5mm

RATING

2A/36VDC **CE** RoHS  
2A/36VDC

REV	REF	DESCRIPTION	DEN.BY	DATE
TITLE	Push button switch		PAGE: 1	VERSION REV: B
MODEL	MP12P/BJ	DRAWING:	CHK.BY:	APP.BY:
DWG No.	MP12P/BJ-XN-01	DATE:	DATE:	DATE:
Toleranc Unless Otherwiss Stated		SCALE (比例):	2:1	
DIMENSION	ANGLE	UNIT (単位)	mm	
	±0.5	±2°		